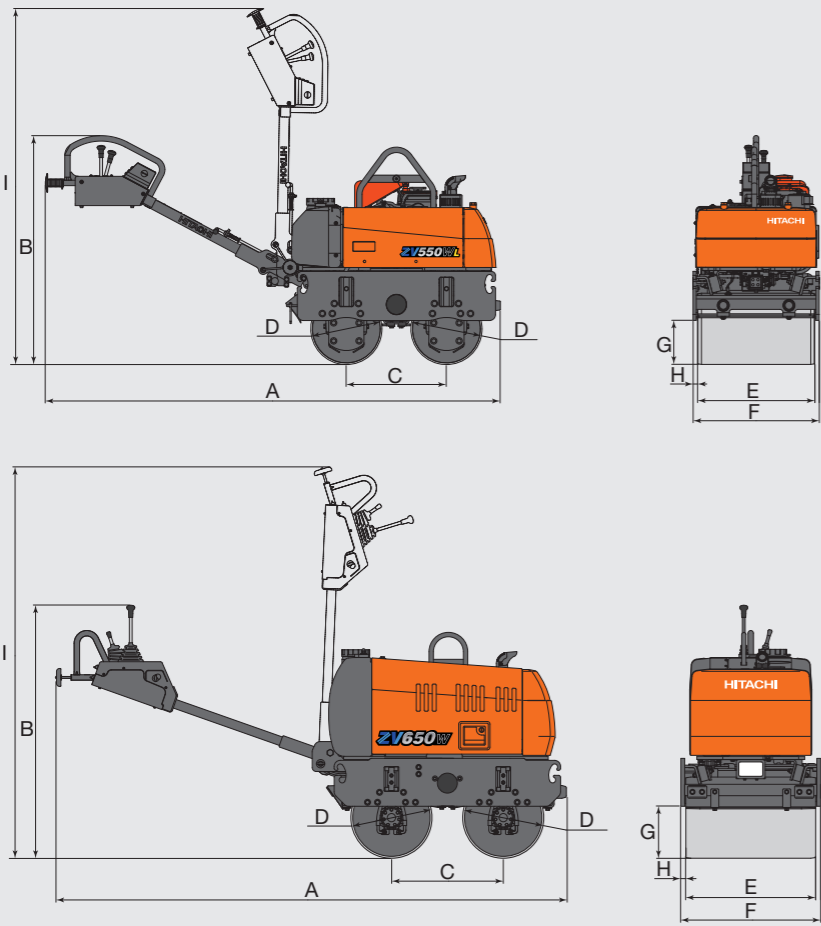


Dimensions



Unit: mm

Model	ZV550WL	ZV650W
A	2 275	2 555
B	1 143	1 265
C	500	560
D	356	406
E	586	650
F	630	700
G	220	260
H	22	25
I	1 780	1 950

Specifications

Model	ZV550WL	ZV650W	
Machine Mass	kg	565	665
Travel speed	km/h	Forward 0 - 3.5 / Reverse 0 - 3.0	Forward and reverse 0 - 3.7
Vibration Frequency	Hz (vpm)	55 (3 300)	55 (3 300)
Centrifugal Force	kN (kgf)	9.8 (1 000)	10.8 (1 100)
Static linear pressure	N/cm (kgf/cm)	47.3 (4.8)	50 (5.1)
Dynamic Linear Pressure	N/cm (kgf/cm)	131 (13.4)	133 (13.6)
Gradeability	% (deg)	36 (20)	36 (20)
Lateral Stability Angle	deg	34	30
Engine			
Model	Kubota E75-E3-NB3	Kubota E75-E3-NB3	
Rated output	kW/min <sup>-1</sup> (PS/rpm)	4.0 / 2 500 (5.5 / 2 500)	4.0 / 2 500 (5.5 / 2 500)
Starting system	Electric Starter	Electric Starter	
Fuel tank capacity (diesel)	L	4.8	4.8
Water sprayer tank capacity	L	35	55
Hydraulic Oil Tank Capacity	L	16	20

NOTE: Units are expressed in the International System of Units (SI). Items in brackets have been expressed in traditional units as reference values.



- Machine Mass 665 kg
- Full sheet metal cover specification
- Includes detachable water spraying nozzles
- Document holder as standard equipment

These specifications are subject to change without notice. Illustrations and photos show the standard models, and may or may not include optional equipment, accessories, and all standard equipment with some differences in color and features. Before use, read and understand the Operator's Manual for proper operation.

KR-EN068

18.09 (KA/SO,MT)

Hitachi Construction Machinery Co., Ltd.  
www.hitachi-c-m.com

Hitachi Construction Machinery Camino Co., Ltd.

ZV-W Series  
Walk-Behind Roller

HITACHI

Reliable solutions

ZV550WL



	ZV550WL	ZV650W
Model	ZV550WL	ZV650W
Engine rated output	4.0 kW (5.5 PS)	4.0 kW (5.5 PS)
Machine Mass	565 kg	665 kg

Aiming to meet expectations for both users and service engineers.

# Featuring a new mechanism which increases both operability and ease of maintenance, the ZV-W Series delivers high functionality and high quality.

### Easily recyclable sheet metal cover

Cover is made of sheet metal for ease of repair and recycling.



### Improved ease of roller cleaning

Cleaning is made easier by ensuring a large space between the engine frame and the drums. This also facilitates the detachment of water spray nozzles.

### Scraper Protection mechanism

Although the front scraper is in the operator's blind area, it is located within the main frame of the machine, so it is well protected against a collision.

### Protective Cover for hydraulic motors

Covers are provided as standard equipment to protect the hydraulic piping and hydraulic motor mechanism from gravel etc.



### Detachable water spray nozzle

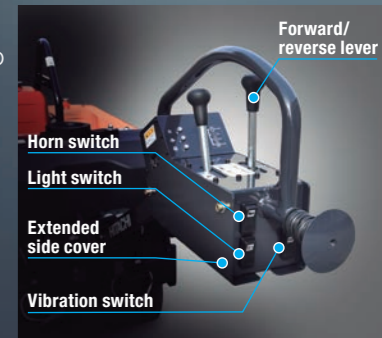
Sprinkler Nozzles are easily detachable for easy cleaning.



## Significant improvements in controllability

### Large Switches

Controllability is improved owing to the large switches, which are well protected by the extended side cover.



### Control Box

### NEW

### LED head light

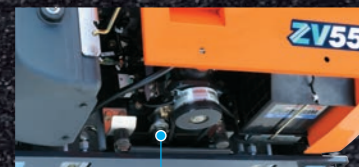
The high-brightness LED head light broadens the range of illumination and eliminates the risk of blown bulbs to improve operability and safety when working at night.



## Improved Maintainability

### Automatic V-Belt Tensioner for ease of daily maintenance.

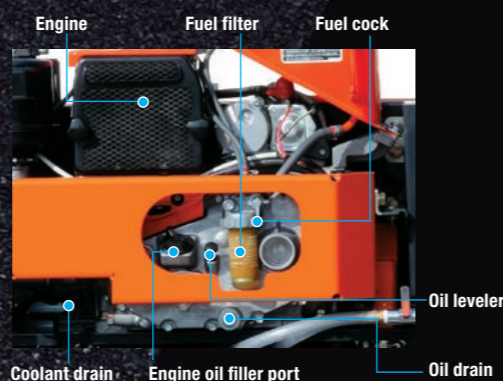
Automatic V-Belt Tensioner is installed as standard equipment for adjusting the belt tension automatically to eliminate the hassle of adjustment work, which makes maintenance



Automatic V-Belt Tensioner

### Improved maintainability of engine

Engine maintenance is possible even without removing or opening the cover.



## Delivers both operability and safety

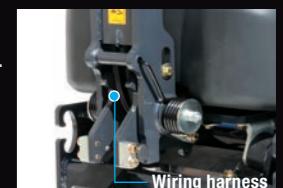
### Compact body

The unit is lower than the previous models, which improves visibility.



### Easily retractable handle

The Handle-Assist mechanism and handle lock lever provide easier raising and lowering of the Handle. The lock pin can be easily released with one hand, which enables simple lowering and raising of the handle with less fatigue in the normal posture. The wiring harness has been housed inside the handle, so it can no longer suddenly detach. This protects the wiring harness from collisions when under load, or obstacle etc.



### 45% reduction in control force to retract the handle

Compared to previous model ZV550W.

◆ = Applicable for ZV550WL Only.